

7591 CATCH BASIN INLET

Heavy duty
 7590 Type M grate and T8 back
 Approximate 415 sq. in. open area
 Uses 7590 grates and backs

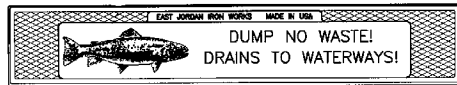
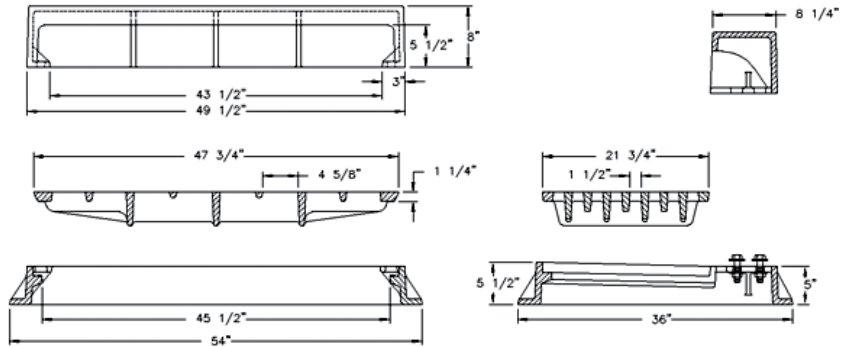
Options
 7590M2 ADA grate
 7590 Type M1 grate



7591 Catch Basin Inlet

Back Type	Back Height
T5	Curb Inlet
T6	4
T7, T11	6
T8, T12	8
T9	10

Note: All dimensions are in inches.

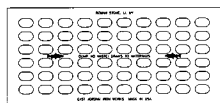


T8 Back

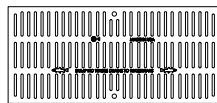
7592 CATCH BASIN INLET

Heavy duty
 With two 7590 Type M grate
 Approximate 830 sq. in. open area
 Uses 7590 grates

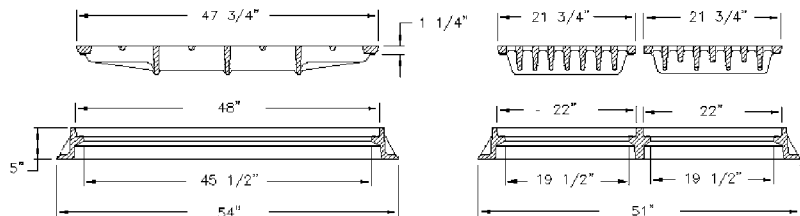
Options
 Adjusting risers
 7590 M2 ADA grate
 7590 Type M1 grate



Type M1 Grate
 Approx. 338 sq. in. open area



Type M2 ADA Grate
 Heavy duty
 Approx. 244 sq. in. open area



Supplied By:



877-903-7246

www.trenchdrainsupply.com

